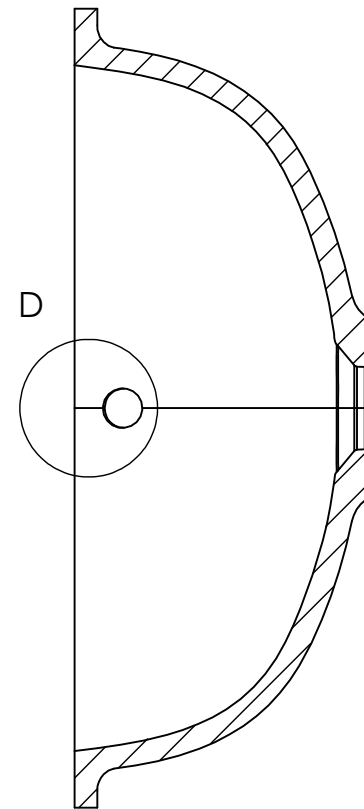
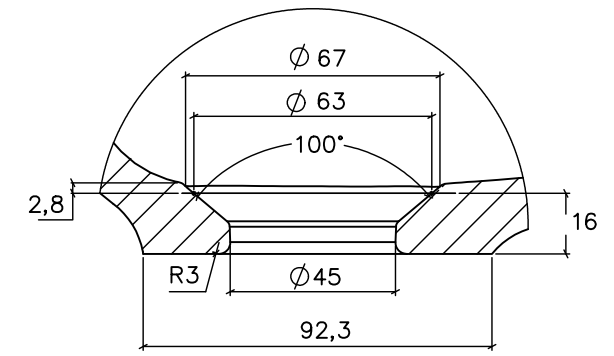


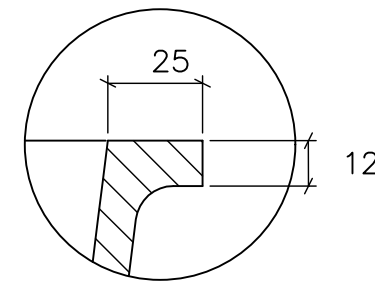
TOP VIEW



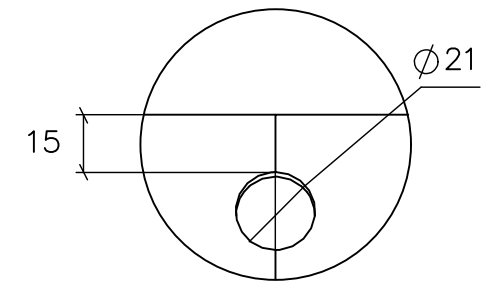
SECTION B-B



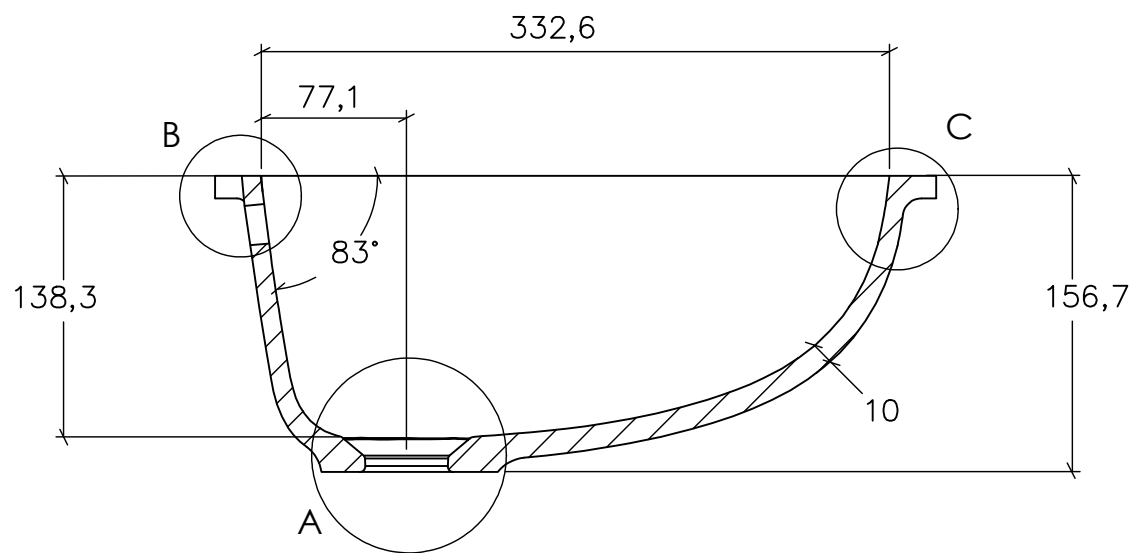
DETAIL A  
SCALE 1 : 2



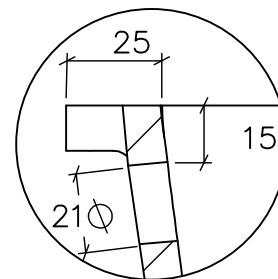
DETAIL C  
SCALE 1 : 2



DETAIL D  
SCALE 1 : 2



SECTION A-A



DETAIL B  
SCALE 1 : 2



ARCHIVE NBR: <b>ARCHIVE 3</b>	CUSTOMER NAME:
FILE NAME/FORMAT: CALM 810 BACK OVFL.DXF	APPLICATION/DESCRIPTION: <b>Bath/ Washbasin</b>
MODEL NAME: <b>CALM 810 BACK OVFL</b>	DOCUMENT STATUS: <b>FINAL</b>
CREATED BY: <b>SD</b>	CODE: <b>D3-810-01</b>
APPROVED BY:	APPROVAL DATE:
LAUNCH DATE:	DATE OF ISSUE: <b>17-01-2020</b>
SCALE: <b>1:4 on A3</b>	REV. NBR/DATE: <b>Rev. 03-17/01/2020</b>

DISCLAIMER/COPYRIGHT:  
THIS DRAWING HAS BEEN FURNISHED BY DU PONT DE NEMOURS INC. THE INFORMATION AND KNOW-HOW THEREON MAY NOT BE USED NOR THE DRAWING REPRODUCED WITHOUT THE WRITTEN PERMISSION OF DU PONT DE NEMOURS INC. ALL REPRODUCTIONS IN WHOLE OR IN PART, INCLUDING VENDOR'S SHOP DRAWINGS, SHALL BEAR OR REFER TO THIS STAMP